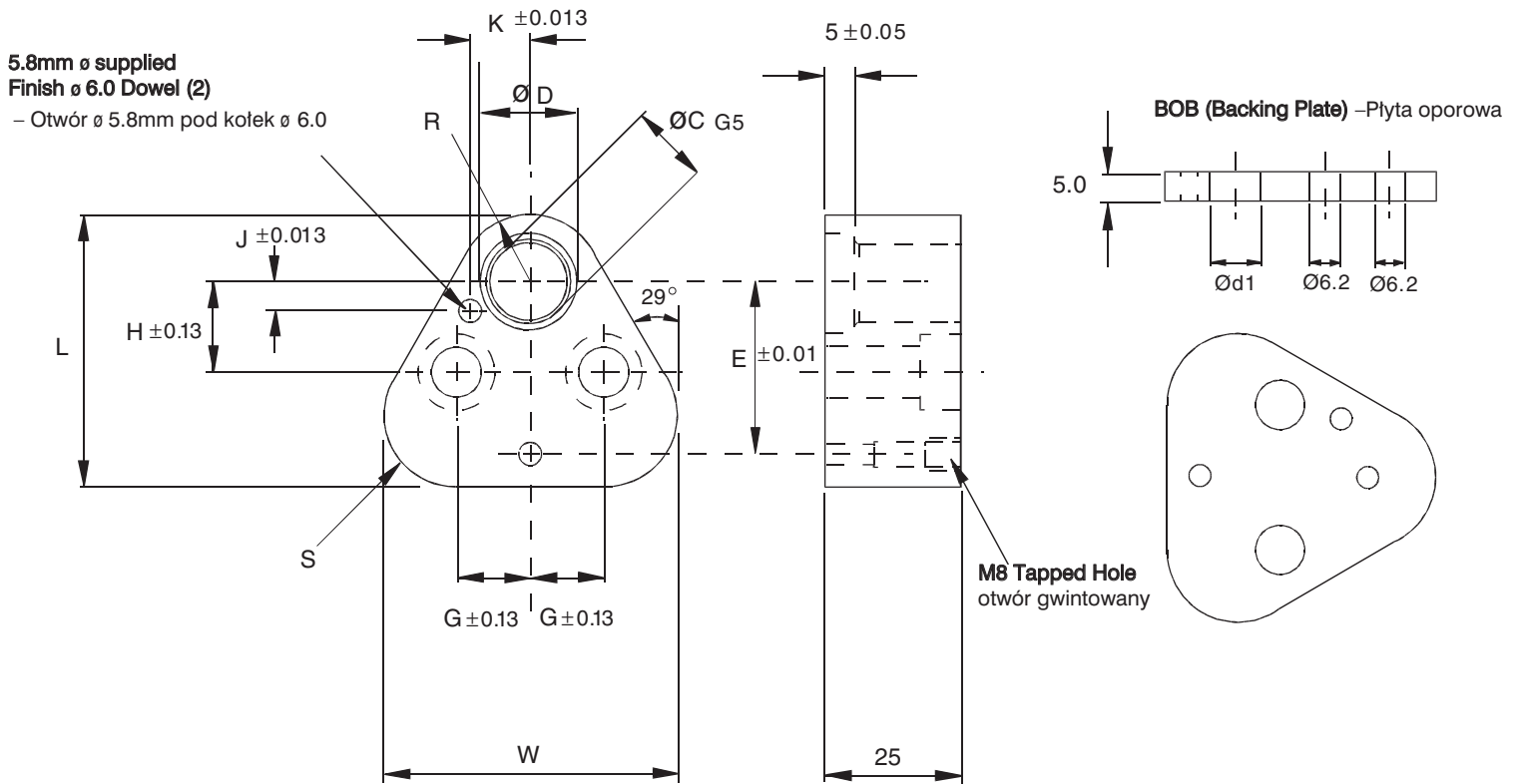


# Headed Punch Retainer (Round)

CdfUk ]Xc'ghYad]n[ @K\_ 'ft\_f [YŁ



Catalogue Number Nr.katalog.	C	L	W	D	G	H	R	S	E	K	J	Screw Size Gwint
HHS10	$10_{-0}^{+0.009}$	44.5	43.7	14.0	11.12	19.0	9.5	12.0	26.925	9.0	7.5	M8
HHS13	$13_{-0}^{+0.011}$	50.8	50.0	17.0	14.27	19.0	12.7	15.2	29.970	12.0	6.5	M8
HHS16	$16_{-0}^{+0.011}$	54.0	53.2	20.0	15.87	19.0	14.3	16.8	31.750	13.5	6.0	M8
HHS20	$20_{-0}^{+0.013}$	60.3	59.6	24.0	17.47	19.0	17.5	20.0	33.530	16.5	5.0	M10
HHS25	$25_{-0}^{+0.013}$	69.9	69.1	29.0	19.84	23.8	22.2	24.7	40.640	22.0	7.0	M12
HHS32	$32_{-0}^{+0.016}$	69.9	69.1	36.0	19.84	23.8	22.2	24.7	40.640	22.0	7.0	M12

Backing Plate	
Płyta oporowa	Ød1
BOP10	10
BOP13	10
BOP16	10
BOP20	12
BOP25	14
BOP32	14

Example order – przykładowe zamówienie

12 off HHS13  
 12 off BOP13