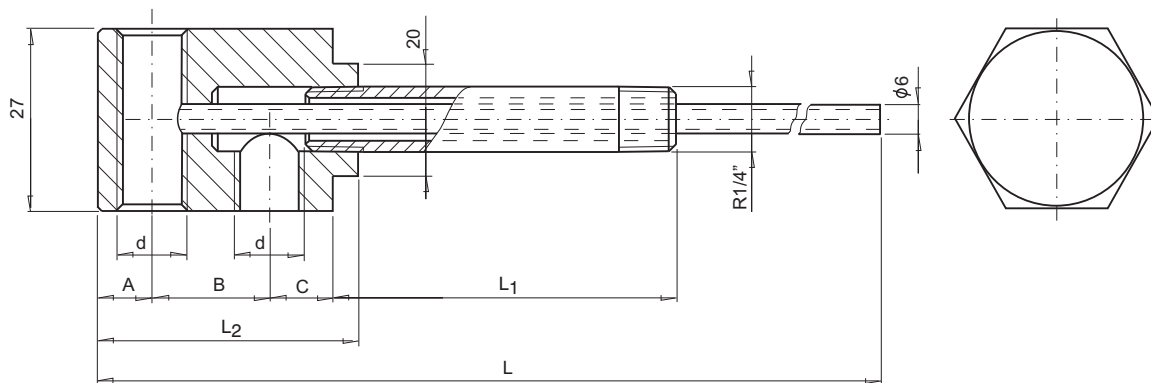


Przegroda dwururkowa
Compact cooling items



Material: MS58
Material: MS58(Brass)

NR KAT.	L ₁	d	L	L ₂	A	B	C
BVS 10 x 50	50	Rp1/8"	356	42	9	19	9
BVS 10 x 100	100						
BVS 10 x 150	150						
BVS 10 x 200	200						
BVS 13 x 50	50	Rp1/4"	362	54	9	26	12
BVS 13 x 100	100						
BVS 13 x 150	150						
BVS 13 x 200	200						
BLS 10 x 50	50	Rp1/8"	362	54	9	26	12
BLS 10 x 100	100						
BLS 10 x 150	150						
BLS 10 x 200	200						
BLS 13 x 50	50	Rp1/4"	362	54	9	26	12
BLS 13 x 100	100						
BLS 13 x 150	150						
BLS 13 x 200	200						